

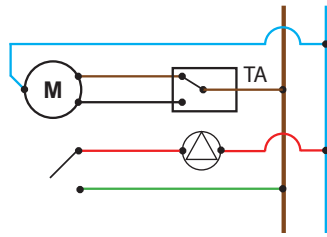
## Zone valves and accessories 03

Motorized zone valves with quick-coupling installation	117
SMALL actuators, ON-OFF version	119
1/2" - 3/4" - 1" - 1"1/4 motorized zone valves	120
1"1/2 - 2" motorized zone valves	126
Zone valves	128
Stop valves	130

### 3-POINT ACTUATORS ART.3070 AND ART.3071 FOR 1/2" -3/4"-1" VALVES WITH QUICK-COUPLING INSTALLATION



TERMINAL	NOT INCLUDED
WIRE	PROVIDED



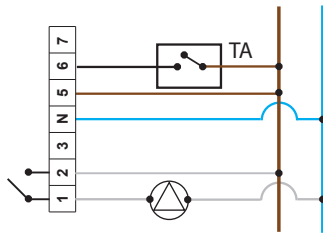
COLOUR CONNECTION

GREEN	Microswitch common contact
RED	N.O. of the microswitch
BLACK	Opening phase
BROWN	Closing phase
BLUE	Neutral

### ACTUATORS ART.3001, 3002, 3005, 3006, 3007 AND 3008 FOR 1/2" -3/4"-1"-1"1/4 ZONE VALVES



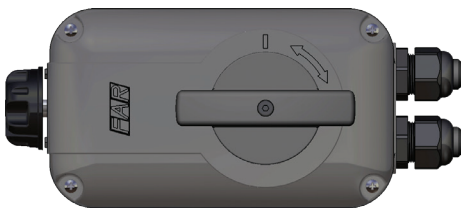
TERMINAL	INCLUDED
WIRE	PROVIDED



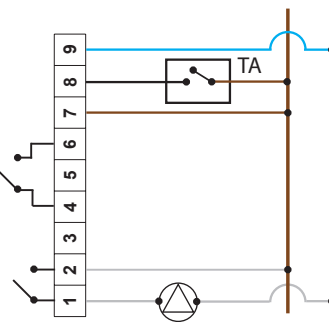
N° COLOUR CONNECTION

1	GREY	Microswitch common contact
2	WHITE	N.O. of the microswitch
3	-	Signal indicator Phase on terminal with open valve
4	BLUE	Neutral
5	BROWN	Phase
6	BLACK	With phase on black valve opens
7	-	Signal indicator Phase on terminal with closed valve

### ACTUATORS ART.3039 AND ART.3040 FOR 1"1/2 - 2" ZONE VALVES



TERMINAL	INCLUDED
WIRE	NOT PROVIDED



N° CONNECTION

1	Microswitch common contact
2	N.O. of the microswitch
3	-
4	Microswitch common contact
5	-
6	N.O. of the microswitch
7	Phase
8	With phase on terminal No. 8 valve opens
9	Neutral

### 3-WAY ZONE VALVES MODELS

<p>3-way diverter zone valve art. 3020-3021-3022</p>	<p>3-way zone valve with by-pass art. 3031-3032</p>	<p>3-way zone valve with by-pass Tee art. 3025 -3030</p>

3-point actuator with auxiliary microswitch for zone valves with quick-coupling installation.

- External connection cable length: 850 mm
- Feed voltage: 230V 50Hz
- Rotation angle: 90°
- Rotation time: 40s
- Protection level: IP44
- Open/Closed indicator



## ART. 3070

Code	voltage	opening time	€	box	pack
3070	230 V	40 s		1	25

Chrome-plated 2-way zone control ball valve with quick-coupling installation equipped with unions, nuts and 230 V actuator.

- Connections: male-male



## ART. 307072

Code	size	DN	Kv [m <sup>3</sup> /h]	opening time	€	box	pack
307072 1	1"	25	25,6	40 s		1	10

Chrome-plated 2-way zone control ball valve with quick-coupling installation equipped with unions, nuts and 230 V actuator.

- Connections: male-female



## ART. 307074

Code	size	DN	Kv [m <sup>3</sup> /h]	opening time	€	box	pack
307074 1	1"	25	31,7	40 s		1	10

3-point actuator with auxiliary microswitch for zone valves with quick-coupling installation.

- External connection cable length: 850 mm
- Feed voltage: 24V 50Hz
- Rotation angle: 90°
- Rotation time: 40s
- Protection level: IP44
- Open/Closed indicator

## ART. 3071

Code	voltage	opening time	€	box	pack
3071	24 V	40 s		1	25

Chrome-plated 2-way zone control ball valve with quick-coupling installation equipped with unions, nuts and 24 V actuator.

- Connections: male-male

## ART. 307172

Code	size	DN	Kv [m <sup>3</sup> /h]	opening time	€	box	pack
307172 1	1"	25	25,6	40 s		1	10

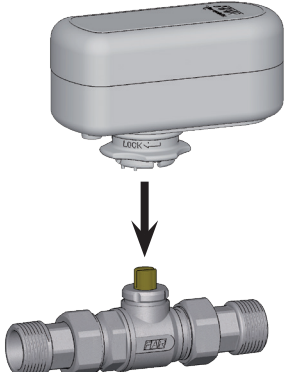
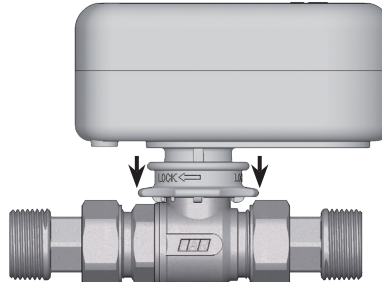
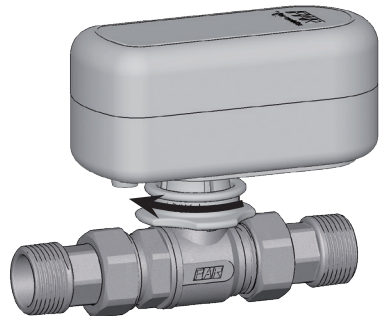
Chrome-plated 2-way zone control ball valve with quick-coupling installation equipped with unions, nuts and 24 V actuator.

- Connections: male-female

## ART. 307174

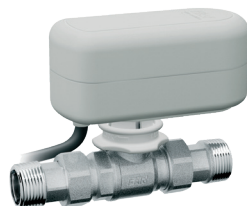
Code	size	DN	Kv [m <sup>3</sup> /h]	opening time	€	box	pack
307174 1	1"	25	31,7	40 s		1	10

The motorized zone valves with quick-coupling installation allow the installation of the actuator in three simple steps with no need for tools:

		
<b>1</b> Place the actuator on the stem of the zone valve	<b>2</b> Lower the locking ring	<b>3</b> Turn the ring clockwise up to the end of the stroke

Chrome-plated 2-way zone control ball valve with quick-coupling installation equipped with unions, nuts and 230 V actuator.

- Connections: male-male



### ART. 307075

Code	size	DN	Kv [m³/h]	opening time	€	box	pack
307075 12	1/2"	15	8,9	40 s		1	10
307075 34	3/4"	15	10,3	40 s		1	10
307075 1	1"	20	18,2	40 s		1	10

Chrome-plated 2-way zone control ball valve with quick-coupling installation equipped with unions, nuts and 24 V actuator.

- Connections: male-male

### ART. 307175

Code	size	DN	Kv [m³/h]	opening time	€	box	pack
307175 12	1/2"	15	8,9	40 s		1	10
307175 34	3/4"	15	10,3	40 s		1	10
307175 1	1"	20	18,2	40 s		1	10

Chrome-plated 2-way zone control ball valve with quick-coupling installation equipped with 230 V actuator.

- Connections: male-female



### ART. 307077

Code	size	DN	Kv [m³/h]	opening time	€	box	pack
307077 12	1/2"	15	8,4	40 s		1	10
307077 34	3/4"	15	11,3	40 s		1	10
307077 1	1"	20	22,6	40 s		1	10

Chrome-plated 2-way zone control ball valve with quick-coupling installation equipped with 24 V actuator.

- Connections: male-female

### ART. 307177

Code	size	DN	Kv [m³/h]	opening time	€	box	pack
307177 12	1/2"	15	8,4	40 s		1	10
307177 34	3/4"	15	11,3	40 s		1	10
307177 1	1"	20	22,6	40 s		1	10

Chrome-plated 3-way diverter zone control ball valve with quick-coupling installation equipped with unions, nuts and 230 V actuator.

- Connections: male-male



### ART. 307080

Code	size	DN	Kv [m³/h]	opening time	€	box	pack
307080 12	1/2"	15	4,9	40 s		1	10
307080 34	3/4"	15	5,3	40 s		1	10
307080 1	1"	20	9	40 s		1	10

Chrome-plated 3-way diverter zone control ball valve with quick-coupling installation equipped with unions, nuts and 24 V actuator.

- Connections: male-male

### ART. 307180

Code	size	DN	Kv [m³/h]	opening time	€	box	pack
307180 12	1/2"	15	4,9	40 s		1	10
307180 34	3/4"	15	5,3	40 s		1	10
307180 1	1"	20	9	40 s		1	10



Chrome-plated 3-way diverter zone control ball valve with quick-coupling installation equipped with unions, nuts and 230 V actuator.

- Connections: male-female



### ART. 307082

Code	size	DN	Kv [m³/h]	opening time	€	box	pack
307082 12	1/2"	15	4,2	40 s		1	10
307082 34	3/4"	15	4,8	40 s		1	10
307082 1	1"	20	9,1	40 s		1	10

Chrome-plated 3-way diverter zone control ball valve with quick-coupling installation equipped with unions, nuts and 24 V actuator.

- Connections: male-female

### ART. 307182

Code	size	DN	Kv [m³/h]	opening time	€	box	pack
307182 12	1/2"	15	4,2	40 s		1	10
307182 34	3/4"	15	4,8	40 s		1	10
307182 1	1"	20	9,1	40 s		1	10



SMALL - Actuator with relay and auxiliary microswitch for zone control ball valves.

- External connection cable length: 1 m.
- Feed voltage: 230 V 50 Hz
- Rotation angle: 90°
- Rotation time: 40 seconds
- Protection level: IP54


**ART. 3001**

Code	voltage	opening time	€	box	pack
3001 40	230 V	40 s		1	30

SMALL - Actuator with manual release, relay and auxiliary microswitch for zone control ball valves.

- External connection cable length: 1 m.
- Feed voltage: 230 V 50 Hz
- Rotation angle: 90°
- Rotation time: 40 seconds
- Protection level: IP54



SMALL - Actuator with relay and auxiliary microswitch for zone control ball valves.

- External connection cable length: 1 m.
- Feed voltage: 24 V 50 Hz
- Rotation angle: 90°
- Rotation time: 40 seconds
- Protection level: IP54

**ART. 3002**

Code	voltage	opening time	€	box	pack
3002 40	24 V	40 s		1	30

SMALL - Actuator with manual release, relay and auxiliary microswitch for zone control ball valves.

- External connection cable length: 1 m.
- Feed voltage: 24 V 50 Hz
- Rotation angle: 90°
- Rotation time: 40 seconds
- Protection level: IP54

**ART. 3005**

Code	voltage	opening time	€	box	pack
3005 40	230 V	40 s		1	30

SMALL - Actuator with manual release, relay and auxiliary microswitch for zone control ball valves.

- External connection cable length: 1 m.
- Feed voltage: 230 V 50 Hz
- Rotation angle: 90°
- Rotation time: 8 seconds
- Protection level: IP54


**ART. 3006**

Code	voltage	opening time	€	box	pack
3006 40	24 V	40 s		1	30

SMALL - Actuator with manual release, relay and auxiliary microswitch for zone control ball valves.

- External connection cable length: 1 m.
- Feed voltage: 24 V 50 Hz
- Rotation angle: 90°
- Rotation time: 8 seconds
- Protection level: IP54

**ART. 3007**

Code	voltage	opening time	€	box	pack
3007 08	230 V	8 s		1	30

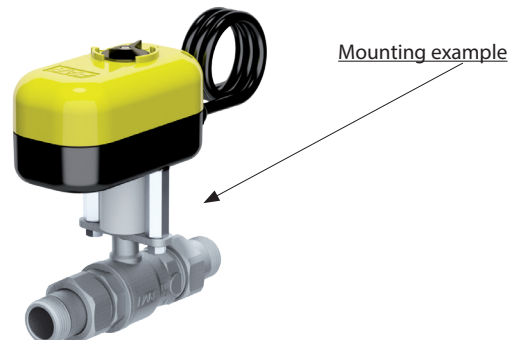
Anti-condensation insulation for SMALL actuators (ART. 3001-3002-3005-3006-3007-3008) for cooling systems.


**ART. 3009**

Code	height/mm	€	box
3009 40	40		1
3009 100	100		1

**ART. 3008**

Code	voltage	opening time	€	box	pack
3008 08	24 V	8 s		1	30



Chrome-plated 2-way zone control ball valve equipped with unions, nuts and 230 V actuator.

- Connections: male-male
- Full bore flow



Chrome-plated 2-way zone control ball valve equipped with unions, nuts and 24 V actuator.

- Connections: male-male
- Full bore flow

### ART. 300115



Code	size	Kv [m <sup>3</sup> /h]	opening time	€	box	pack
300115 1240	1/2"	7,1	40 s		1	12
300115 3440	3/4"	16,8	40 s		1	12
300115 140	1"	25,6	40 s		1	12
300115 11440	1"1/4	55,2	40 s		1	12

### ART. 300215

Code	size	Kv [m <sup>3</sup> /h]	opening time	€	box	pack
300215 1240	1/2"	7,1	40 s		1	12
300215 3440	3/4"	16,8	40 s		1	12
300215 140	1"	25,6	40 s		1	12
300215 11440	1"1/4	55,2	40 s		1	12

Chrome-plated 2-way zone control ball valve equipped with 230 V actuator.

- Connections: female-female
- Full bore flow



Chrome-plated 2-way zone control ball valve equipped with 24 V actuator.

- Connections: female-female
- Full bore flow

### ART. 300116



Code	size	Kv [m <sup>3</sup> /h]	opening time	€	box	pack
300116 1240	1/2"	12,6	40 s		1	12
300116 3440	3/4"	17,5	40 s		1	12
300116 140	1"	40,2	40 s		1	12

### ART. 300216

Code	size	Kv [m <sup>3</sup> /h]	opening time	€	box	pack
300216 1240	1/2"	12,6	40 s		1	12
300216 3440	3/4"	17,5	40 s		1	12
300216 140	1"	40,2	40 s		1	12

Chrome-plated 2-way zone control ball valve equipped with 230 V actuator.

- Connections: male-female
- Full bore flow



Chrome-plated 2-way zone control ball valve equipped with 24 V actuator.

- Connections: male-female
- Full bore flow

### ART. 300117



Code	size	Kv [m <sup>3</sup> /h]	opening time	€	box	pack
300117 1240	1/2"	9	40 s		1	12
300117 3440	3/4"	16,7	40 s		1	12
300117 140	1"	31,7	40 s		1	12
300117 11440	1"1/4	68	40 s		1	12

### ART. 300217

Code	size	Kv [m <sup>3</sup> /h]	opening time	€	box	pack
300217 1240	1/2"	9	40 s		1	12
300217 3440	3/4"	16,7	40 s		1	12
300217 140	1"	31,7	40 s		1	12
300217 11440	1"1/4	68	40 s		1	12

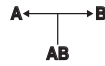
Chrome-plated 3-way diverter zone control ball valve equipped with unions, nuts and 230 V actuator.

- Connections: male-male
- Full bore flow



**ART. 300120**

Code	size	Kv [m <sup>3</sup> /h]	opening time	€	box	pack
300120 1240	1/2"	4,5	40 s		1	12
300120 3440	3/4"	9,9	40 s		1	12
300120 140	1"	13,7	40 s		1	12
300120 11440	1"1/4	25,5	40 s		1	12



Chrome-plated 3-way diverter zone control ball valve equipped with unions, nuts and 24 V actuator.

- Connections: male-male
- Full bore flow

**ART. 300220**

Code	size	Kv [m <sup>3</sup> /h]	opening time	€	box	pack
300220 1240	1/2"	4,5	40 s		1	12
300220 3440	3/4"	9,9	40 s		1	12
300220 140	1"	13,7	40 s		1	12
300220 11440	1"1/4	25,5	40 s		1	12

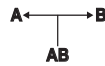
Chrome-plated 3-way diverter zone control ball valve equipped with 230 V actuator.

- Connections: female-female
- Full bore flow



**ART. 300121**

Code	size	Kv [m <sup>3</sup> /h]	opening time	€	box	pack
300121 1240	1/2"	5	40 s		1	12
300121 3440	3/4"	9,2	40 s		1	12
300121 140	1"	14,2	40 s		1	12



Chrome-plated 3-way diverter zone control ball valve equipped with 24V actuator.

- Connections: female-female
- Full bore flow

**ART. 300221**

Code	size	Kv [m <sup>3</sup> /h]	opening time	€	box	pack
300221 1240	1/2"	5	40 s		1	12
300221 3440	3/4"	9,2	40 s		1	12
300221 140	1"	14,2	40 s		1	12

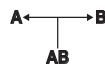
Chrome-plated 3-way diverter zone control ball valve equipped with unions, nuts and 230 V actuator.

- Connections: male-female
- Full bore flow



**ART. 300122**

Code	size	Kv [m <sup>3</sup> /h]	opening time	€	box	pack
300122 1240	1/2"	5	40 s		1	12
300122 3440	3/4"	9,2	40 s		1	12
300122 140	1"	14,2	40 s		1	12
300122 11440	1"1/4	24,5	40 s		1	12



Chrome-plated 3-way diverter zone control ball valve equipped with unions, nuts and 24 V actuator.

- Connections: male-female
- Full bore flow

**ART. 300222**

Code	size	Kv [m <sup>3</sup> /h]	opening time	€	box	pack
300222 1240	1/2"	5	40 s		1	12
300222 3440	3/4"	9,2	40 s		1	12
300222 140	1"	14,2	40 s		1	12
300222 11440	1"1/4	24,5	40 s		1	12

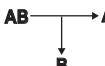
Chrome-plated 3-way zone control ball valve with by-pass Tee equipped with unions, nuts and 230 V actuator.

- Connections: male-male
- AB-A Full bore flow
- AB-B Reduced bore flow
- Adjustable centre line: from 52 mm to 63 mm
- Suitable for coplanar manifolds only



**ART. 300125**

Code	size	Kv [m <sup>3</sup> /h]	opening time	€	box	pack
300125 3440	3/4"	16,8	40 s		1	12
300125 140	1"	25,6	40 s		1	12



Chrome-plated 3-way zone control ball valve with by-pass Tee equipped with unions, nuts and 24 V actuator.

- Connections: male-male
- AB-A Full bore flow
- AB-B Reduced bore flow
- Adjustable centre line: from 52 mm to 63 mm
- Suitable for coplanar manifolds only

**ART. 300225**

Code	size	Kv [m <sup>3</sup> /h]	opening time	€	box	pack
300225 3440	3/4"	16,8	40 s		1	12
300225 140	1"	25,6	40 s		1	12

Chrome-plated 2-way zone control ball valve equipped with unions, nuts and 230 V actuator with manual release.

- Connections: male-male
- Full bore flow



Chrome-plated 2-way zone control ball valve equipped with unions, nuts and 24 V actuator with manual release.

- Connections: male-male
- Full bore flow

### ART. 300515



Code	size	Kv [m <sup>3</sup> /h]	opening time	€	box	pack
300515 1240	1/2"	7,1	40 s		1	12
300515 3440	3/4"	16,8	40 s		1	12
300515 140	1"	25,6	40 s		1	12
300515 11440	1"1/4	55,2	40 s		1	12

Chrome-plated 2-way zone control ball valve equipped with 230 V actuator with manual release.

- Connections: female-female
- Full bore flow



### ART. 300516



Code	size	Kv [m <sup>3</sup> /h]	opening time	€	box	pack
300516 1240	1/2"	12,6	40 s		1	12
300516 3440	3/4"	17,5	40 s		1	12
300516 140	1"	40,2	40 s		1	12

Chrome-plated 2-way zone control ball valve equipped with 230 V actuator with manual release.

- Connections: male-female
- Full bore flow



### ART. 300517



Code	size	Kv [m <sup>3</sup> /h]	opening time	€	box	pack
300517 1240	1/2"	9	40 s		1	12
300517 3440	3/4"	16,7	40 s		1	12
300517 140	1"	31,7	40 s		1	12
300517 11440	1"1/4	68	40 s		1	12

### ART. 300615

Code	size	Kv [m <sup>3</sup> /h]	opening time	€	box	pack
300615 1240	1/2"	7,1	40 s		1	12
300615 3440	3/4"	16,8	40 s		1	12
300615 140	1"	25,6	40 s		1	12
300615 11440	1"1/4	55,2	40 s		1	12

Chrome-plated 2-way zone control ball valve equipped with 24 V actuator with manual release.

- Connections: female-female
- Full bore flow

### ART. 300616

Code	size	Kv [m <sup>3</sup> /h]	opening time	€	box	pack
300616 1240	1/2"	12,6	40 s		1	12
300616 3440	3/4"	17,5	40 s		1	12
300616 140	1"	40,2	40 s		1	12

Chrome-plated 2-way zone control ball valve equipped with 24 V actuator with manual release.

- Connections: male-female
- Full bore flow

### ART. 300617

Code	size	Kv [m <sup>3</sup> /h]	opening time	€	box	pack
300617 1240	1/2"	9	40 s		1	12
300617 3440	3/4"	16,7	40 s		1	12
300617 140	1"	31,7	40 s		1	12
300617 11440	1"1/4	68	40 s		1	12



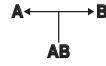
Chrome-plated 3-way diverter zone control ball valve equipped with unions, nuts and 230 V actuator with manual release.

- Connections: male-male
- Full bore flow



**ART. 300520**

Code	size	Kv [m³/h]	opening time	€	box	pack
300520 1240	1/2"	4,5	40 s		1	12
300520 3440	3/4"	9,9	40 s		1	12
300520 140	1"	13,7	40 s		1	12
300520 11440	1"1/4	25,5	40 s		1	12



Chrome-plated 3-way diverter zone control ball valve equipped with unions, nuts and 24 V actuator with manual release.

- Connections: male-male
- Full bore flow

**ART. 300620**

Code	size	Kv [m³/h]	opening time	€	box	pack
300620 1240	1/2"	4,5	40 s		1	12
300620 3440	3/4"	9,9	40 s		1	12
300620 140	1"	13,7	40 s		1	12
300620 11440	1"1/4	25,5	40 s		1	12

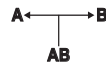
Chrome-plated 3-way diverter zone control ball valve equipped with 230 V actuator with manual release.

- Connections: female-female
- Full bore flow



**ART. 300521**

Code	size	Kv [m³/h]	opening time	€	box	pack
300521 1240	1/2"	5	40 s		1	12
300521 3440	3/4"	9,2	40 s		1	12
300521 140	1"	14,2	40 s		1	12



Chrome-plated 3-way diverter zone control ball valve equipped with 24 V actuator with manual release.

- Connections: female-female
- Full bore flow

**ART. 300621**

Code	size	Kv [m³/h]	opening time	€	box	pack
300621 1240	1/2"	5	40 s		1	12
300621 3440	3/4"	9,2	40 s		1	12
300621 140	1"	14,2	40 s		1	12

Chrome-plated 3-way diverter zone control ball valve equipped with unions, nuts and 230 V actuator with manual release.

- Connections: male-female
- Full bore flow



**ART. 300522**

Code	size	Kv [m³/h]	opening time	€	box	pack
300522 1240	1/2"	5	40 s		1	12
300522 3440	3/4"	9,2	40 s		1	12
300522 140	1"	14,2	40 s		1	12
300522 11440	1"1/4	24,5	40 s		1	12



Chrome-plated 3-way diverter zone control ball valve equipped with unions, nuts and 24 V actuator with manual release.

- Connections: male-female
- Full bore flow

**ART. 300622**

Code	size	Kv [m³/h]	opening time	€	box	pack
300622 1240	1/2"	5	40 s		1	12
300622 3440	3/4"	9,2	40 s		1	12
300622 140	1"	14,2	40 s		1	12
300622 11440	1"1/4	24,5	40 s		1	12

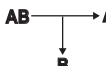
Chrome-plated 3-way zone control ball valve with by-pass Tee equipped with unions, nuts and 230 V actuator with manual release.

- Connections: male-male
- AB-A Full bore flow
- AB-B Reduced bore flow
- Adjustable centre line: from 52 mm to 63 mm
- Suitable for coplanar manifolds only



**ART. 300525**

Code	size	Kv [m³/h]	opening time	€	box	pack
300525 3440	3/4"	16,8	40 s		1	12
300525 140	1"	25,6	40 s		1	12



Chrome-plated 3-way zone control ball valve with by-pass Tee equipped with unions, nuts and 24 V actuator with manual release.

- Connections: male-male
- AB-A Full bore flow
- AB-B Reduced bore flow
- Adjustable centre line: from 52 mm to 63 mm
- Suitable for coplanar manifolds only

**ART. 300625**

Code	size	Kv [m³/h]	opening time	€	box	pack
300625 3440	3/4"	16,8	40 s		1	12
300625 140	1"	25,6	40 s		1	12

Chrome-plated 2-way zone control ball valve equipped with unions, nuts and 230 V actuator with manual release.

- Connections: male-male
- Full bore flow



### ART. 300715

Code	size	Kv [m <sup>3</sup> /h]	opening time	€	box	pack
300715 1208	1/2"	7,1	8 s		1	12
300715 3408	3/4"	16,8	8 s		1	12
300715 108	1"	25,6	8 s		1	12
300715 11408	1"1/4	55,2	8 s		1	12



### ART. 300815

Code	size	Kv [m <sup>3</sup> /h]	opening time	€	box	pack
300815 1208	1/2"	7,1	8 s		1	12
300815 3408	3/4"	16,8	8 s		1	12
300815 108	1"	25,6	8 s		1	12
300815 11408	1"1/4	55,2	8 s		1	12

Chrome-plated 2-way zone control ball valve equipped with 230 V actuator with manual release.

- Connections: female-female
- Full bore flow



### ART. 300716

Code	size	Kv [m <sup>3</sup> /h]	opening time	€	box	pack
300716 1208	1/2"	12,6	8 s		1	12
300716 3408	3/4"	17,5	8 s		1	12
300716 108	1"	40,2	8 s		1	12



### ART. 300816

Code	size	Kv [m <sup>3</sup> /h]	opening time	€	box	pack
300816 1208	1/2"	12,6	8 s		1	12
300816 3408	3/4"	17,5	8 s		1	12
300816 108	1"	40,2	8 s		1	12

Chrome-plated 2-way zone control ball valve equipped with 230 V actuator with manual release.

- Connections: male-female
- Full bore flow



### ART. 300717

Code	size	Kv [m <sup>3</sup> /h]	opening time	€	box	pack
300717 1208	1/2"	9	8 s		1	12
300717 3408	3/4"	16,7	8 s		1	12
300717 108	1"	31,7	8 s		1	12
300717 11408	1"1/4	68	8 s		1	12



### ART. 300817

Code	size	Kv [m <sup>3</sup> /h]	opening time	€	box	pack
300817 1208	1/2"	9	8 s		1	12
300817 3408	3/4"	16,7	8 s		1	12
300817 108	1"	31,7	8 s		1	12
300817 11408	1"1/4	68	8 s		1	12

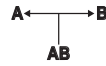
Chrome-plated 3-way diverter zone control ball valve equipped with unions, nuts and 230 V actuator with manual release.

- Connections: male-male
- Full bore flow



**ART. 300720**

Code	size	Kv [m³/h]	opening time	€	box	pack
300720 1208	1/2"	4,5	8 s		1	12
300720 3408	3/4"	9,9	8 s		1	12
300720 108	1"	13,7	8 s		1	12
300720 11408	1"1/4	25,5	8 s		1	12



Chrome-plated 3-way diverter zone control ball valve equipped with unions, nuts and 24 V actuator with manual release.

- Connections: male-male
- Full bore flow

**ART. 300820**

Code	size	Kv [m³/h]	opening time	€	box	pack
300820 1208	1/2"	4,5	8 s		1	12
300820 3408	3/4"	9,9	8 s		1	12
300820 108	1"	13,7	8 s		1	12
300820 11408	1"1/4	25,5	8 s		1	12

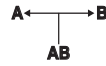
Chrome-plated 3-way diverter zone control ball valve equipped with 230 V actuator with manual release.

- Connections: female-female
- Full bore flow



**ART. 300721**

Code	size	Kv [m³/h]	opening time	€	box	pack
300721 1208	1/2"	5	8 s		1	12
300721 3408	3/4"	9,2	8 s		1	12
300721 108	1"	14,2	8 s		1	12



Chrome-plated 3-way diverter zone control ball valve equipped with 24 V actuator with manual release.

- Connections: female-female
- Full bore flow

**ART. 300821**

Code	size	Kv [m³/h]	opening time	€	box	pack
300821 1208	1/2"	5	8 s		1	12
300821 3408	3/4"	9,2	8 s		1	12
300821 108	1"	14,2	8 s		1	12

Chrome-plated 3-way diverter zone control ball valve equipped with unions, nuts and 230 V actuator with manual release.

- Connections: male-female
- Full bore flow



**ART. 300722**

Code	size	Kv [m³/h]	opening time	€	box	pack
300722 1208	1/2"	5	8 s		1	12
300722 3408	3/4"	9,2	8 s		1	12
300722 108	1"	14,2	8 s		1	12
300722 11408	1"1/4	24,5	8 s		1	12



Chrome-plated 3-way diverter zone control ball valve equipped with unions, nuts and 24 V actuator with manual release.

- Connections: male-female
- Full bore flow

**ART. 300822**

Code	size	Kv [m³/h]	opening time	€	box	pack
300822 1208	1/2"	5	8 s		1	12
300822 3408	3/4"	9,2	8 s		1	12
300822 108	1"	14,2	8 s		1	12
300822 11408	1"1/4	24,5	8 s		1	12

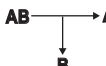
Chrome-plated 3-way zone control ball valve with by-pass Tee equipped with unions, nuts and 230 V actuator with manual release.

- Connections: male-male
- AB-A Full bore flow
- AB-B Reduced bore flow
- Adjustable centre line: from 52 mm to 63 mm
- Suitable for coplanar manifolds only



**ART. 300725**

Code	size	Kv [m³/h]	opening time	€	box	pack
300725 3408	3/4"	16,8	8 s		1	12
300725 108	1"	25,6	8 s		1	12



Chrome-plated 3-way zone control ball valve with by-pass Tee equipped with unions, nuts and 24 V actuator with manual release.

- Connections: male-male
- AB-A Full bore flow
- AB-B Reduced bore flow
- Adjustable centre line: from 52 mm to 63 mm
- Suitable for coplanar manifolds only

**ART. 300825**

Code	size	Kv [m³/h]	opening time	€	box	pack
300825 3408	3/4"	16,8	8 s		1	12
300825 108	1"	25,6	8 s		1	12

Actuator with ISO 5211 connection for 1"1/2 and 2" zone valves.

- Suitable also for installation on all FAR zone valves from 1/2" up to 1"1/4. The special adapter (Art. 8978) must be purchased separately
- Feed voltage 230V 50Hz - 24V 50Hz
- Protection level: IP65
- Manual release with automatic reset
- Opening/closing time: 30s – 80s
- Double cable: PG11
- Max. torque: 35Nm
- No. 2 auxiliary microswitch

**ART. 3039**

Code	voltage	opening time	€	box	pack
3039 80	230 V	80 s		1	-
3039 30	230 V	30 s		1	-

Chrome-plated 2-way zone control ball valve equipped with unions, nuts and 230 V actuator with manual release.

- Connections: male-male
- Full bore flow

**ART. 303915**

Code	size	Kv [m <sup>3</sup> /h]	opening time	€	box	pack
303915 11280	1"1/2	79,4	80 s		1	-
303915 280	2"	136,2	80 s		1	-
303915 11230	1"1/2	79,4	30 s		1	-
303915 230	2"	136,2	30 s		1	-

Chrome-plated 2-way zone control ball valve equipped with 230 V actuator with manual release.

- Connections: female-female
- Full bore flow

**ART. 303916**

Code	size	Kv [m <sup>3</sup> /h]	opening time	€	box	pack
303916 11280	1"1/2	79,4	80 s		1	-
303916 280	2"	136,2	80 s		1	-
303916 11230	1"1/2	79,4	30 s		1	-
303916 230	2"	136,2	30 s		1	-

Chrome-plated 2-way zone control ball valve equipped with 230 V actuator with manual release.

- Connections: male-female
- Full bore flow

**ART. 303917**

Code	size	Kv [m <sup>3</sup> /h]	opening time	€	box	pack
303917 11280	1"1/2	79,4	80 s		1	-
303917 280	2"	136,2	80 s		1	-
303917 11230	1"1/2	79,4	30 s		1	-
303917 230	2"	136,2	30 s		1	-

**ART. 3040**

Code	voltage	opening time	€	box	pack
3040 80	24 V	80 s		1	-
3040 30	24 v	30 s		1	-

Chrome-plated 2-way zone control ball valve equipped with unions, nuts and 24 V actuator with manual release.

- Connections: male-male
- Full bore flow

**ART. 304015**

Code	size	Kv [m <sup>3</sup> /h]	opening time	€	box	pack
304015 11280	1"1/2	79,4	80 s		1	-
304015 280	2"	136,2	80 s		1	-
304015 11230	1"1/2	79,4	30 s		1	-
304015 230	2"	136,2	30 s		1	-

Chrome-plated 2-way zone control ball valve equipped with 24 V actuator with manual release.

- Connections: female-female
- Full bore flow

**ART. 304016**

Code	size	Kv [m <sup>3</sup> /h]	opening time	€	box	pack
304016 11280	1"1/2	79,4	80 s		1	-
304016 280	2"	136,2	80 s		1	-
304016 11230	1"1/2	79,4	30 s		1	-
304016 230	2"	136,2	30 s		1	-

Chrome-plated 2-way zone control ball valve equipped with 24 V actuator with manual release.

- Connections: male-female
- Full bore flow

**ART. 304017**

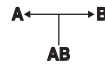
Code	size	Kv [m <sup>3</sup> /h]	opening time	€	box	pack
304017 11280	1"1/2	79,4	80 s		1	-
304017 280	2"	136,2	80 s		1	-
304017 11230	1"1/2	79,4	30 s		1	-
304017 230	2"	136,2	30 s		1	-

Chrome-plated 3-way diverter zone control ball valve equipped with unions, nuts and 230 V actuator with manual release.

- Connections: male-male
- Full bore flow


**ART. 303920**

Code	size	Kv [m <sup>3</sup> /h]	opening time	€	box	pack
303920 11280	1"1/2	40,8	80 s		1	-
303920 280	2"	64,8	80 s		1	-
303920 11230	1"1/2	40,8	30 s		1	-
303920 230	2"	64,8	30 s		1	-



Chrome-plated 3-way diverter zone control ball valve equipped with unions, nuts and 24 V actuator with manual release.

- Connections: male-male
- Full bore flow

**ART. 304020**

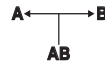
Code	size	Kv [m <sup>3</sup> /h]	opening time	€	box	pack
304020 11280	1"1/2	40,8	80 s		1	-
304020 280	2"	64,8	80 s		1	-
304020 11230	1"1/2	40,8	30 s		1	-
304020 230	2"	64,8	30 s		1	-

Chrome-plated 3-way diverter zone control ball valve equipped with 230 V actuator with manual release.

- Connections: female-female
- Full bore flow


**ART. 303921**

Code	size	Kv [m <sup>3</sup> /h]	opening time	€	box	pack
303921 11280	1"1/2	40,8	80 s		1	-
303921 280	2"	64,8	80 s		1	-
303921 11230	1"1/2	40,8	30 s		1	-
303921 230	2"	64,8	30 s		1	-



Chrome-plated 3-way diverter zone control ball valve equipped with 24 V actuator with manual release.

- Connections: female-female
- Full bore flow

**ART. 304021**

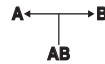
Code	size	Kv [m <sup>3</sup> /h]	opening time	€	box	pack
304021 11280	1"1/2	40,8	80 s		1	-
304021 280	2"	64,8	80 s		1	-
304021 11230	1"1/2	40,8	30 s		1	-
304021 230	2"	64,8	30 s		1	-

Chrome-plated 3-way diverter zone control ball valve equipped with 230 V actuator with manual release.

- Connections: male-female
- Full bore flow


**ART. 303922**

Code	size	Kv [m <sup>3</sup> /h]	opening time	€	box	pack
303922 11280	1"1/2	40,8	80 s		1	-
303922 280	2"	64,8	80 s		1	-
303922 11230	1"1/2	40,8	30 s		1	-
303922 230	2"	64,8	30 s		1	-



Chrome-plated 3-way diverter zone control ball valve equipped with 24 V actuator with manual release.

- Connections: male-female
- Full bore flow

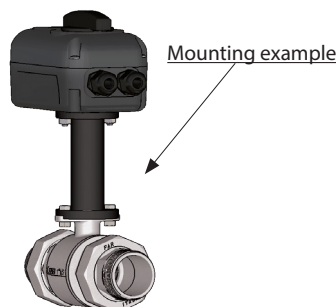
**ART. 304022**

Code	size	Kv [m <sup>3</sup> /h]	opening time	€	box	pack
304022 11280	1"1/2	40,8	80 s		1	-
304022 280	2"	64,8	80 s		1	-
304022 11230	1"1/2	40,8	30 s		1	-
304022 230	2"	64,8	30 s		1	-

Anti-condensation insulation for art. 3039-3040 for cooling systems.


**ART. 3042**

Code	height/mm	€	box
3042 100	100		1



Adapter for actuators installation (ART. 3039-3040) on 1/2"-3/4"-1"-1"1/4 zone valves.


**ART. 8978**

Code	€	box
8978		1

Chrome-plated 2-way zone control ball valve.

- Valve body: CW617N brass
- Sealing gaskets: EPDM O-ring and PTFE seats
- Nominal pressure: 16 bar
- Max. differential pressure: 5 bar
- Circulating fluid temperature: -10°C (with frost protection) + 100°C
- Compatible fluids: water with or without glycol
- Connections: male-male
- Full bore flow



### ART. 3015

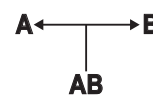
Code	size	Kv [m <sup>3</sup> /h]	€	box	pack
3015 12	1/2"	7,1		1	-
3015 34	3/4"	16,8		1	-
3015 1	1"	25,6		1	-
3015 114	1"1/4	55,2		1	-

Chrome-plated 3-way diverter zone control ball valve.

- Valve body: CW617N brass
- Sealing gaskets: EPDM O-ring and PTFE seats
- Nominal pressure: 16 bar
- Max. differential pressure: 5 bar
- Circulating fluid temperature: -10°C (with frost protection) + 100°C
- Compatible fluids: water with or without glycol
- Connections: male-male
- Full bore flow



### ART. 3020



Code	size	Kv [m <sup>3</sup> /h]	€	box	pack
3020 12	1/2"	4,5		1	-
3020 34	3/4"	9,9		1	-
3020 1	1"	13,7		1	-
3020 114	1"1/4	25,5		1	-

Chrome-plated 2-way zone control ball valve.

- Valve body: CW617N brass
- Sealing gaskets: EPDM O-ring and PTFE seats
- Nominal pressure: 16 bar
- Max. differential pressure: 5 bar
- Circulating fluid temperature: -10°C (with frost protection) + 100°C
- Compatible fluids: water with or without glycol
- Connections: female-female
- Full bore flow



### ART. 3016

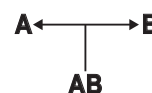
Code	size	Kv [m <sup>3</sup> /h]	€	box	pack
3016 12	1/2"	12,6		1	-
3016 34	3/4"	17,5		1	-
3016 1	1"	40,2		1	-

Chrome-plated 3-way diverter zone control ball valve.

- Valve body: CW617N brass
- Sealing gaskets: EPDM O-ring and PTFE seats
- Nominal pressure: 16 bar
- Max. differential pressure: 5 bar
- Circulating fluid temperature: -10°C (with frost protection) + 100°C
- Compatible fluids: water with or without glycol
- Connections: female-female
- Full bore flow



### ART. 3021



Code	size	Kv [m <sup>3</sup> /h]	€	box	pack
3021 12	1/2"	5		1	-
3021 34	3/4"	9,2		1	-
3021 1	1"	14,2		1	-

Chrome-plated 2-way zone control ball valve.

- Valve body: CW617N brass
- Sealing gaskets: EPDM O-ring and PTFE seats
- Nominal pressure: 16 bar
- Max. differential pressure: 5 bar
- Circulating fluid temperature: -10°C (with frost protection) + 100°C
- Compatible fluids: water with or without glycol
- Connections: male-female
- Full bore flow



### ART. 3017

Code	size	Kv [m <sup>3</sup> /h]	€	box	pack
3017 12	1/2"	9		1	-
3017 34	3/4"	16,7		1	-
3017 1	1"	31,7		1	-
3017 114	1"1/4	68		1	-

Chrome-plated 3-way diverter zone control ball valve.

- Valve body: CW617N brass
- Sealing gaskets: EPDM O-ring and PTFE seats
- Nominal pressure: 16 bar
- Max. differential pressure: 5 bar
- Circulating fluid temperature: -10°C (with frost protection) + 100°C
- Compatible fluids: water with or without glycol
- Connections: male-female
- Full bore flow



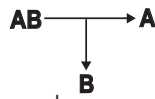
### ART. 3022



Code	size	Kv [m <sup>3</sup> /h]	€	box	pack
3022 12	1/2"	5		1	-
3022 34	3/4"	9,2		1	-
3022 1	1"	14,2		1	-
3022 114	1"1/4	24,5		1	-

Chrome-plated 3-way zone valve with by-pass ball.

- Valve body: CW617N brass
- Sealing gaskets: EPDM O-ring and PTFE seats
- Nominal pressure: 16 bar
- Max. differential pressure: 5 bar
- Circulating fluid temperature: -10°C (with frost protection) + 100°C
- Compatible fluids: water with or without glycol
- Connections: male
- AB-A Full bore flow
- AB-B Reduced bore flow

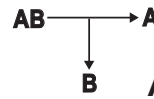


**ART. 3032**

Code	size	Kv [m³/h]	€	box	pack
3032 12	1/2"	7,1		1	-
3032 34	3/4"	16,8		1	-
3032 1	1"	25,6		1	-
3032 114	1 1/4"	55,2		1	-

Chrome-plated 3-way zone valve with by-pass ball and 24x19 central connection.

- Valve body: CW617N brass
- Sealing gaskets: EPDM O-ring and PTFE seats
- Nominal pressure: 16 bar
- Max. differential pressure: 5 bar
- Circulating fluid temperature: -10°C (with frost protection) + 100°C
- Compatible fluids: water with or without glycol
- Connections: male
- AB-A Full bore flow
- AB-B Reduced bore flow



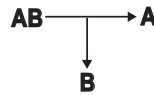
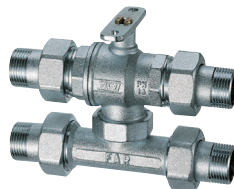
**ART. 3031**



Code	size	Kv [m³/h]	€	box	pack
3031 34	3/4"	16,8		1	-
3031 1	1"	25,6		1	-

Chrome-plated 3-way zone valve with by-pass Tee.

- Valve body: CW617N brass
- Sealing gaskets: EPDM O-ring and PTFE seats
- Nominal pressure: 16 bar
- Max. differential pressure: 5 bar
- Circulating fluid temperature: -10°C (with frost protection) + 100°C
- Compatible fluids: water with or without glycol
- Connections: male
- Adjustable centre line between ports: from 52 mm to 63 mm
- AB-A Full bore flow
- AB-B Reduced bore flow

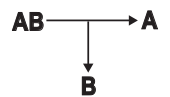
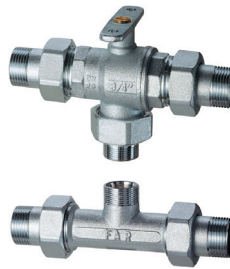


**ART. 3025**

Code	size	Kv [m³/h]	€	box	pack
3025 34	3/4"	16,8		1	-
3025 1	1"	25,6		1	-

Chrome-plated 3-way zone valve with by-pass Tee and 24x19 central connection.

- Valve body: CW617N brass
- Sealing gaskets: EPDM O-ring and PTFE seats
- Nominal pressure: 16 bar
- Max. differential pressure: 5 bar
- Circulating fluid temperature: -10°C (with frost protection) + 100°C
- Compatible fluids: water with or without glycol
- Connections: male
- AB-A Full bore flow
- AB-B Reduced bore flow



**ART. 3030**



Code	size	Kv [m³/h]	€	box	pack
3030 34	3/4"	16,8		1	-
3030 1	1"	25,6		1	-

Chrome-plated Tee connection for zone valve, art. 3025.



**ART. 3026**

Code	size	€	box	pack
3026 34	3/4"		1	-
3026 1	1"		1	-

Chrome-plated Tee for copper connection for zone valve, art. 3030.



**ART. 3027**



Code	size	€	box	pack
3027 34	3/4"		1	-
3027 1	1"		1	-

# 3 STOP VALVES

2-way BRASS thermo-electric piston stop valve.

- Suitable for thermo-electric actuator
- Body made of CW617N forged brass
- EPDM sealing O-ring
- Tmax: 95°C
- Pmax: 10bar
- ΔPmax: 3bar
- Ring and handle: ABS plastic
- Connections: 1/2"-3/4"-1" male



## ART. 3087



Code	size	Kv [m³/h]	€	box	pack
3087 12	1/2"	1,88		1	50
3087 34	3/4"	2,50		1	50
3087 1	1"	3,50		1	50

2-way BRASS thermo-electric piston stop valve.

- Suitable for thermo-electric actuator
- Body made of CW617N forged brass
- EPDM Sealing O-ring
- Tmax: 95°C
- Pmax: 10bar
- ΔPmax: 3bar
- Ring and handle: ABS plastic
- Connections: 1/2"-3/4" female



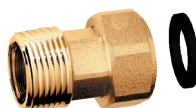
## ART. 3088

Code	size	Kv [m³/h]	€	box	pack
3088 12	1/2"	2,37		1	50
3088 34	3/4"	3,50		1	50

## ACCESSORIES:

Brass connection fitting with swiveling nut.

- Connections: Male-Female
- Flat faced gasket in EPDM
- CW617N forged brass

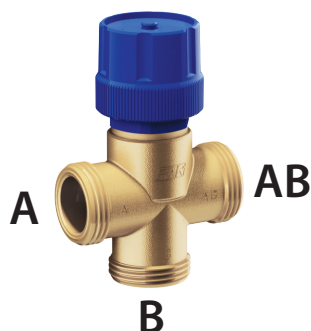


## ART. 8313

Code	size	€	box
8313 12	1/2"x 1/2"		1
8313 3412	3/4"x 1/2"		1
8313 34	3/4"x 3/4"		1
8313 134	1"x 3/4"		1
8313 1	1"x 1"		1

3-way BRASS thermo-electric piston valve.

- Functioning: diverter or mixing
- Suitable for thermo-electric actuator
- Body made of CW617N forged brass
- EPDM sealing O-ring
- Tmax: 95°C
- Pmax: 16bar
- ΔPmax: 1,5bar
- Ring and handle: ABS plastic
- Connections: 1/2"-3/4"-1" male

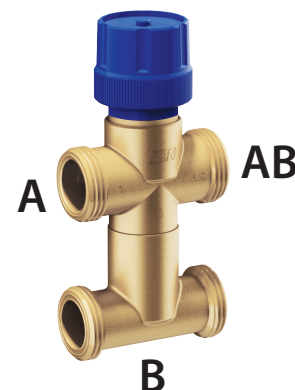


## ART. 3086

Code	size	Kv AB-A [m³/h]	Kv AB-B [m³/h]	€	box	pack
3086 12	1/2"	1,85	2,00		1	50
3086 34	3/4"	2,40	3,10		1	50
3086 1	1"	3,30	3,20		1	50

4-way BRASS thermo-electric piston valve.

- Functioning: diverter or mixing
- Suitable for thermo-electric actuator
- Body made of CW617N forged brass
- EPDM sealing O-ring
- Tmax: 95°C
- Pmax: 16bar
- ΔPmax: 1,5bar
- Ring and handle: ABS plastic
- Connections: 1/2"-3/4" male



## ART. 3089

Code	size	Kv AB-A [m³/h]	Kv AB-B [m³/h]	€	box	pack
3089 12	1/2"		1,72		1	-
3089 34	3/4"		1,87		1	-



2-way BRASS stop and balancing thermo-electric piston valve.

- Suitable for thermo-electric actuator
- Body made of CW617N forged brass
- EPDM sealing O-ring
- Tmax: 95°C
- Pmax: 10bar
- ΔPmax: 3bar
- Ring and handle: ABS
- Numbered ring for setting
- Regulation key
- **Connections: 3/4"-1" male**
- **Side connections for probe**



### ART. 3085

Code	size	Kv [m³/h]	€	box	pack
3085 34	3/4"	2,35		1	50
3085 1	1"	3,10		1	50

2 wired thermo-electric actuator provided with selector. Suitable for installation on thermostatic valves and manifolds.

- Chrome-plated ring with M30x1,5 thread
- Connecting cable length: 75 cm
- Protection level: IP54



- NC = NORMALLY CLOSED
- NA = NORMALLY OPEN

N.B. For installation on thermostatic valves use the chrome-plated adapter, art. 1941.

### ART. 1909-1919-1929-1939

Code	voltage	opening time	type	€	box	pack
1909	24 V	180 s	NC		1	100
1919	230 V	180 s	NC		1	100
1929	24 V	180 s	NA		1	100
1939	230 V	180 s	NA		1	100

Proportional actuator for piston valves.

- Voltage: 24V
- Control operation: 0-10V
- Degree of protection: IP54



### ART. 1911

Code	voltage	€	box
1911	24 V		1

Proportional actuator for piston valves.

- Voltage: 230V
- Control operation: 3-Point
- Degree of protection: IP54

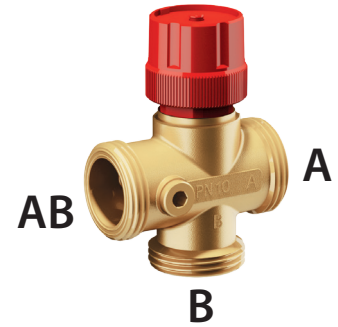


### ART. 1921

Code	voltage	€	box
1921	230 V		1

3-way BRASS thermo-electric piston valve.

- Functioning: diverter or mixing
- Suitable for thermo-electric actuator
- Body made of CW617N forged brass
- EPDM sealing O-ring
- Tmax: 95°C
- Pmax: 16bar
- ΔPmax: 1,5bar
- Ring and handle: ABS
- Numbered ring for setting
- Regulation key
- **Connections: 1" male**
- **Side connections for probe**



### ART. 3094

Code	size	Kv AB-A [m³/h]	Kv AB-B [m³/h]	€	box	pack
3094 1	1"	3,00	3,00		1	50

4 wired thermo-electric actuator with auxiliary micro-switch and selector. Suitable for installation on thermostatic valves and manifolds.

- Chrome-plated ring with M30x1,5 thread
- Connecting cable length: 75 cm
- Protection level: IP54



- NC = NORMALLY CLOSED

N.B. For installation on thermostatic valves use the chrome-plated adapter, art. 1941.

### ART. 1914-1924-1913-1923

Code	voltage	opening time	type	€	box	pack
1914	24 V	180 s	NC		1	100
1924	230 V	180 s	NC		1	100
1913	24 V	90 s	NC		1	100
1923	230 V	90 s	NC		1	100

Thermo-electric proportional actuator for piston valves.

- Voltage: 24V
- Control operation: 0-10V
- Degree of protection: IP54

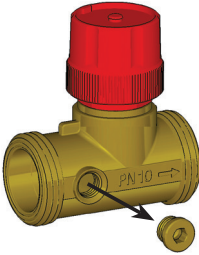


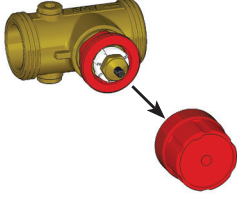
### ART. 1912

Code	voltage	€	box
1912	24 V		1

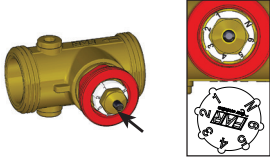
The stop valves control the circuit opening and closing by means of a thermo-electric actuator. The valves Art. 3085 and Art. 3094 are equipped with a PRESETTING system, which allows the water flow to be divided by means of a shaped body. The valve can be set by removing the handle and rotating the body up to the preset design position (from 1 to 6).

The valve sides (Art. 3085 and Art. 3094) have plugs for the installation of the seating for the temperature probe.

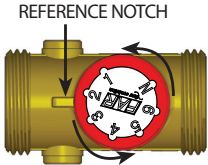




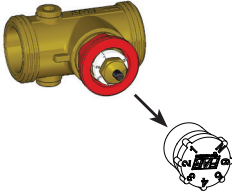
1. Completely unscrew the handle by turning it counter clockwise.



2. Insert the regulating key included in the package by matching the letter N on the key with the one on the valve.



3. Turn the key clockwise or counter clockwise, moving it to the designed value up to the set point.



4. Remove the key and replace the handle or the thermostatic head.

The stop valves control the circuit opening and closing by means of a thermo-electric actuator.

The shut-off valves are suitable for the installation of the FAR thermo-electric actuators:

2 wiring ON/OFF thermo-electric actuators:

Art. 1909	24V	180 s	NC*
Art. 1919	230V	180 s	NC*
Art. 1929	24V	180 s	NA*
Art. 1939	230V	180 s	NA*

4 wiring ON/OFF thermo-electric actuators with auxiliary micro-switch:

Art. 1914	24V	180 s	NC*
Art. 1924	230V	180 s	NC*
Art. 1913	24V	90 s	NC*
Art. 1923	230V	90 s	NC*

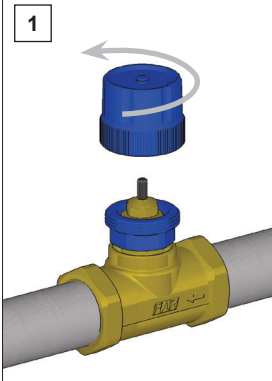
\*NC: normally closed

\*NA: normally open

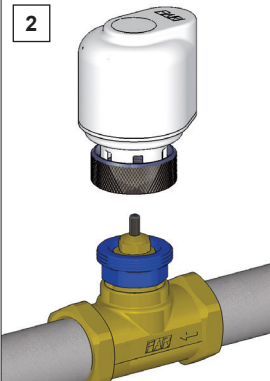
### THERMO-ELECTRIC ACTUATOR INSTALLATION

- 1- Unscrew the handle
- 2- Position the actuator on the valve
- 3- Screw the actuator locking ring

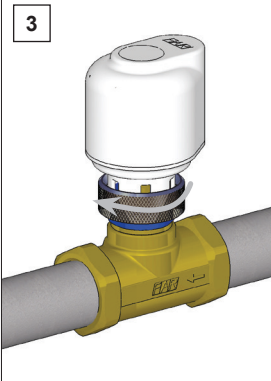
1



2



3





In order to install the actuators **art.1911-1912-1921** on piston valves, remove the manual handle from the valve and screw the appropriate adapter included in the package. Then place the actuator over the adapter and press down until it engages.

**N.B. At the first electrical connection, the actuators will perform a complete stroke before being operating.**

